

TW1-1591E-M

TW1-1591E-BH (BIG HOOK)

TW2-1574E-M (2-NEEDLE MACHINE)

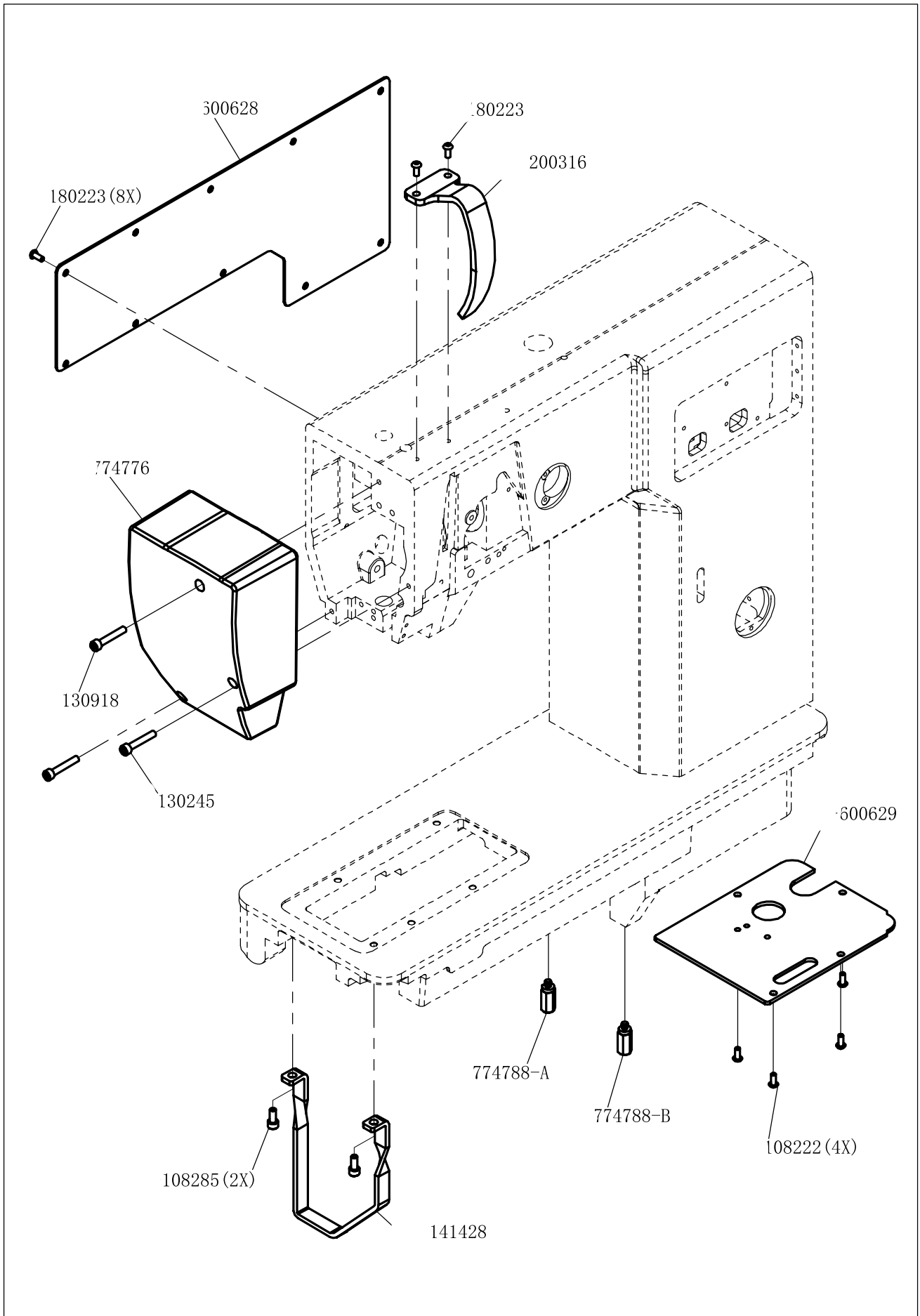
SPARE PARTSLIST

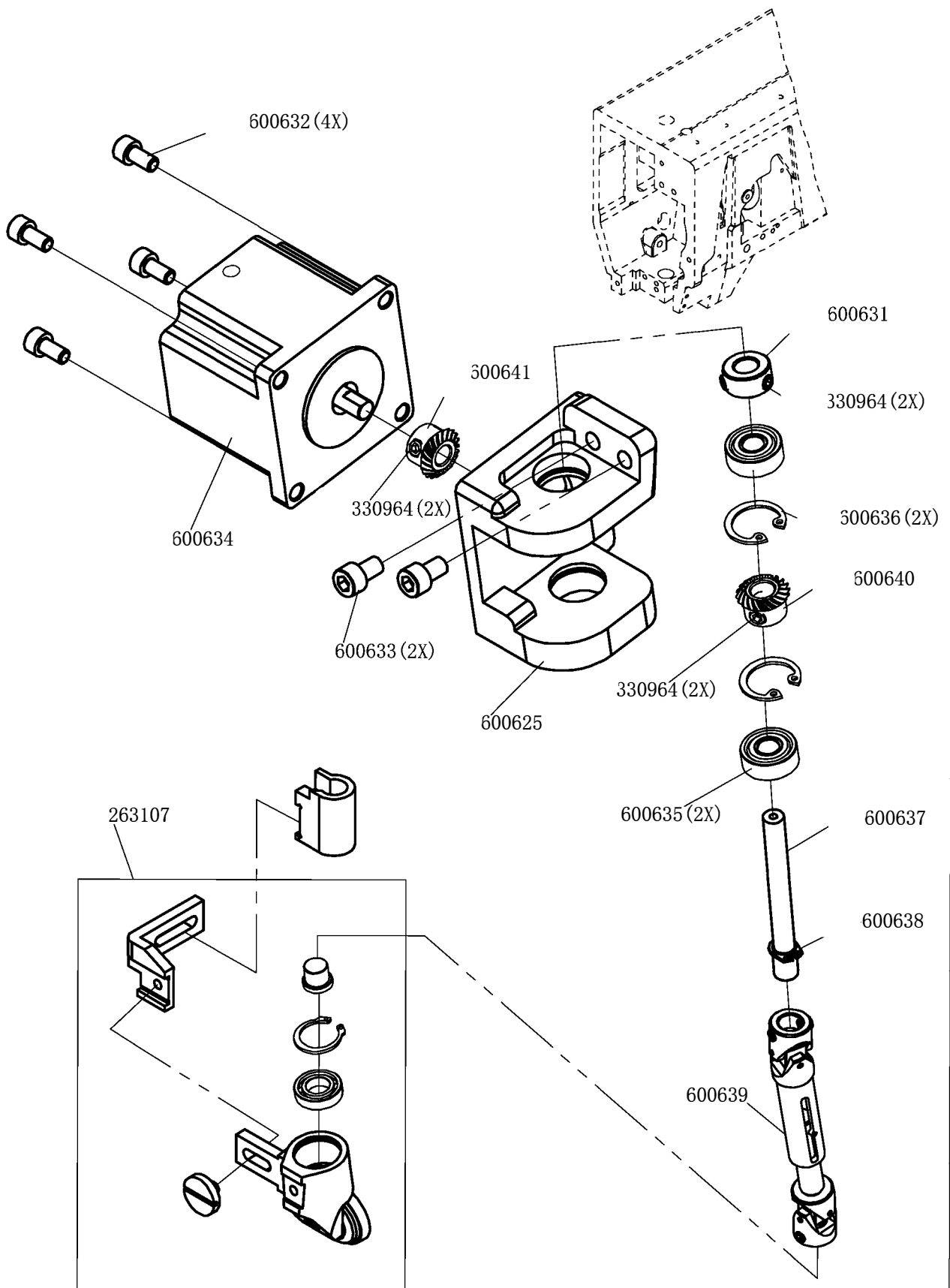


FULL ELECTRONIC POST BED SEWING MACHINE

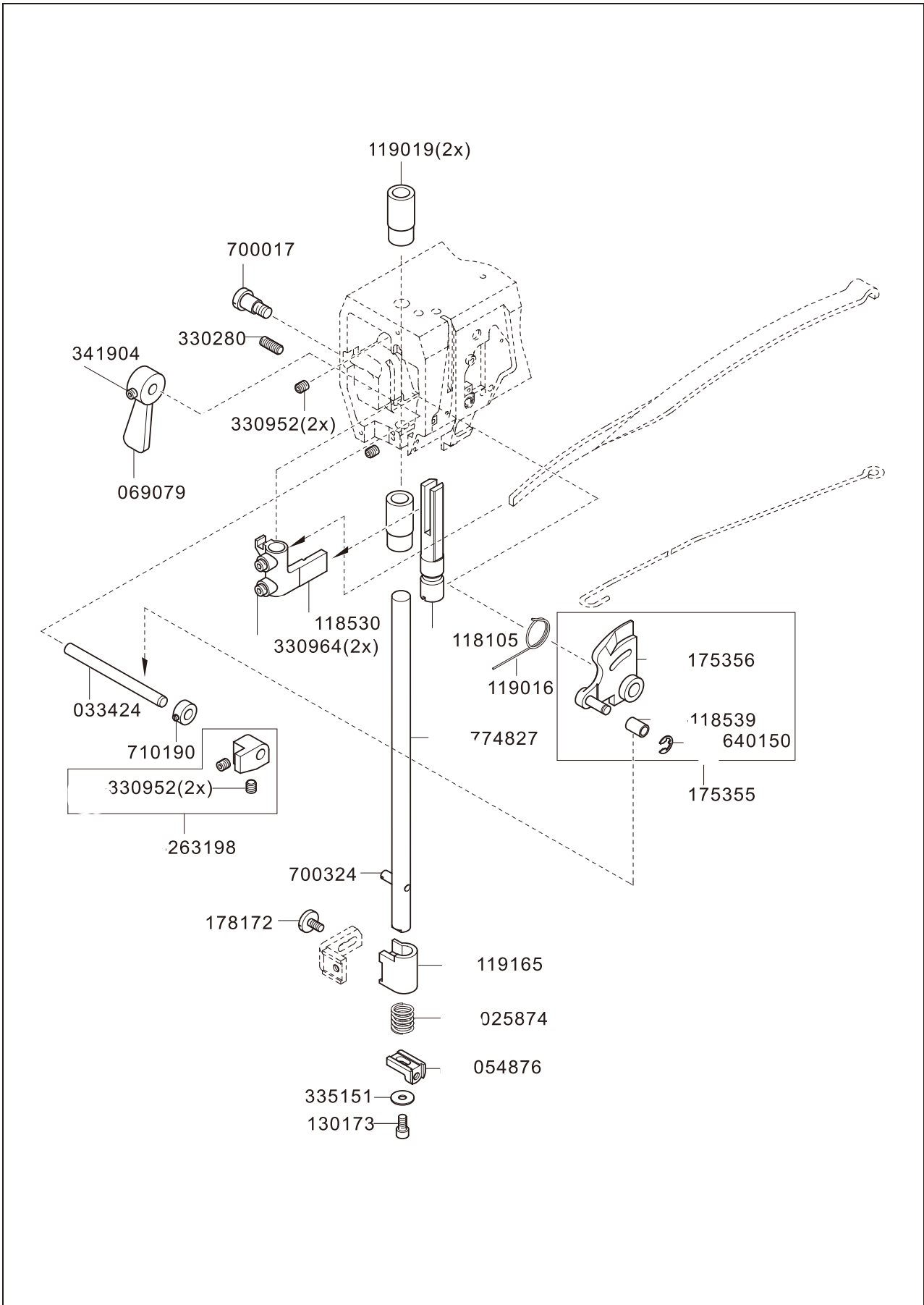
TYPICAL

1. HOUSING SECTIONS

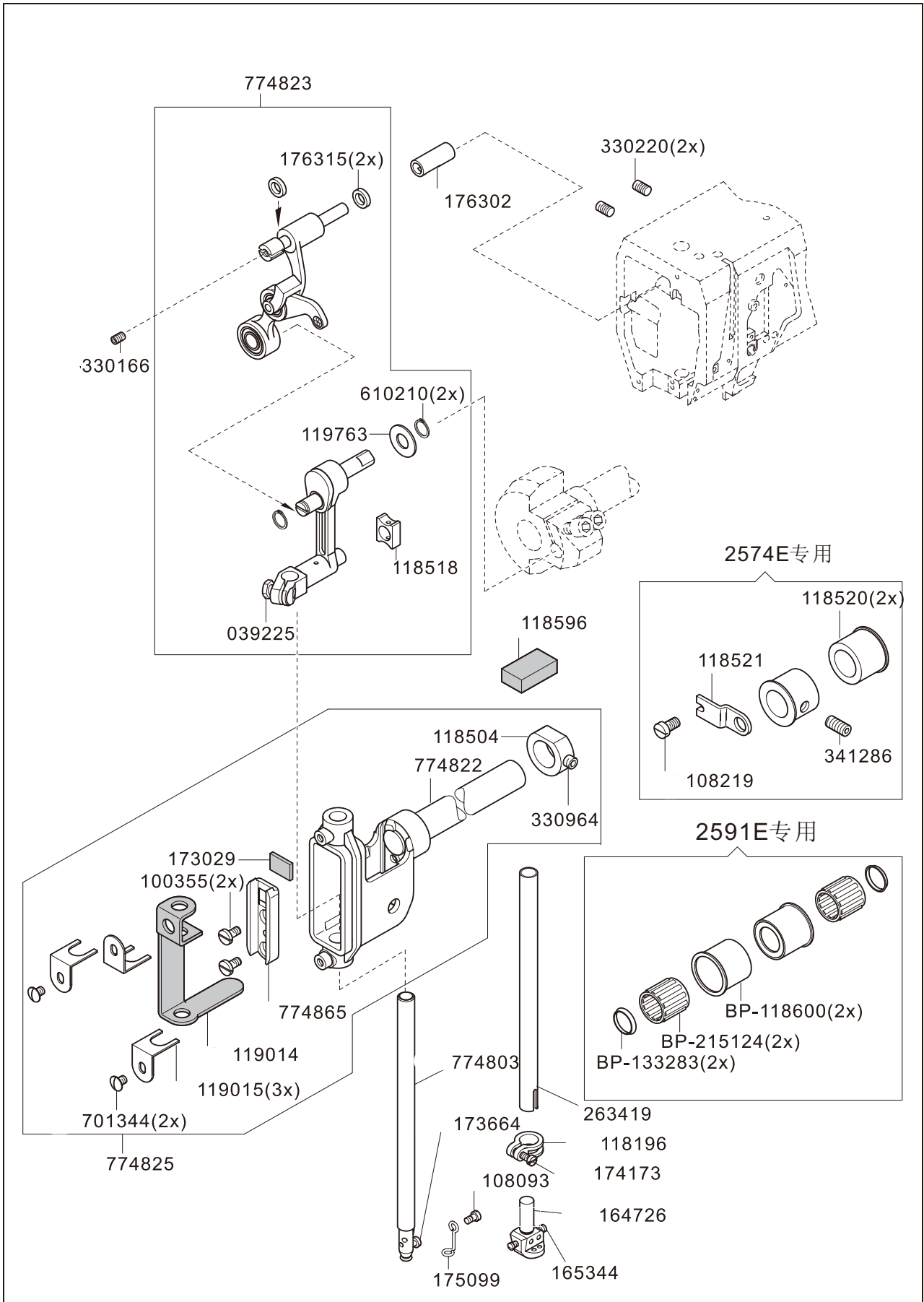




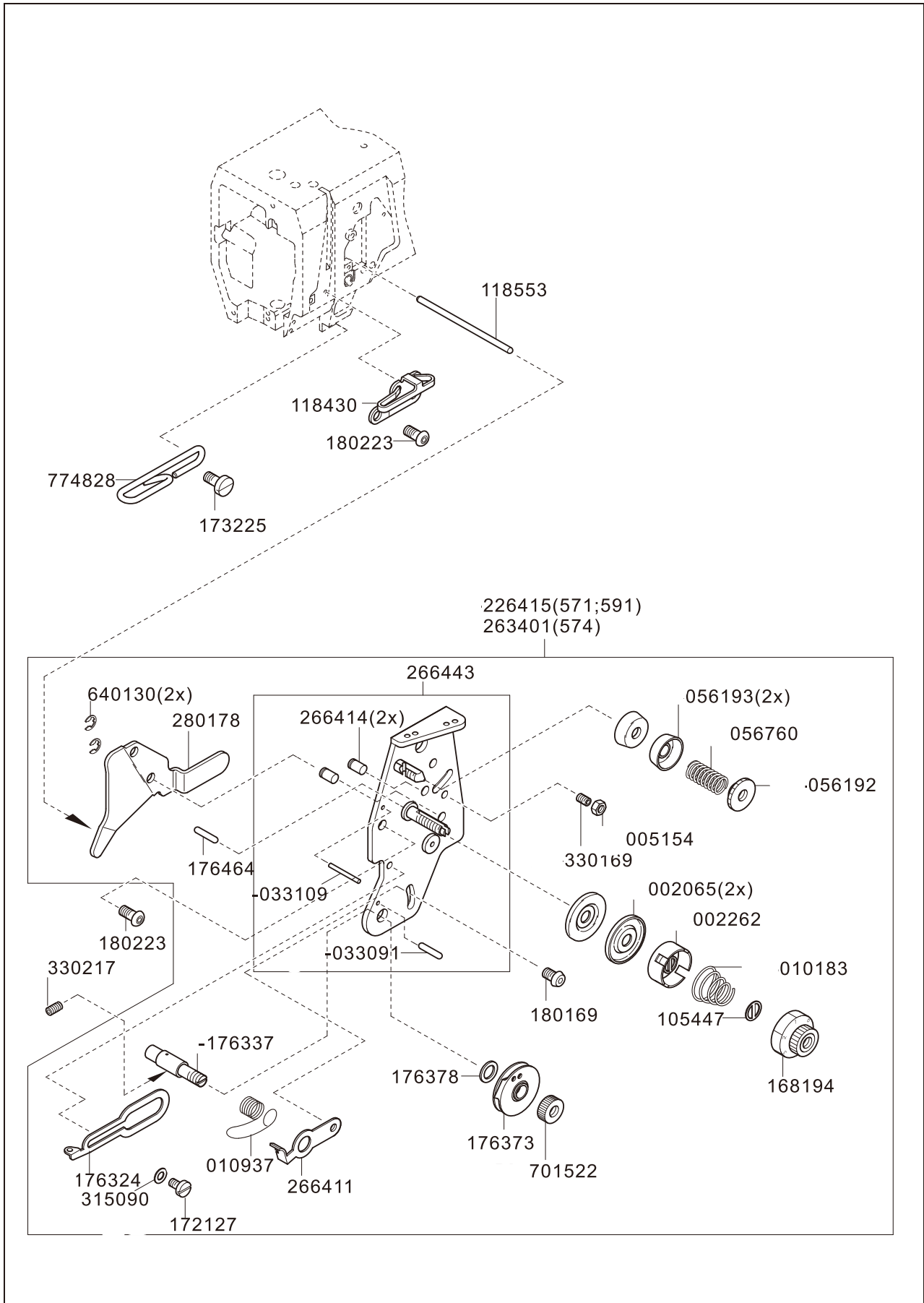
2.02 NEEDLE HEAD PARTS



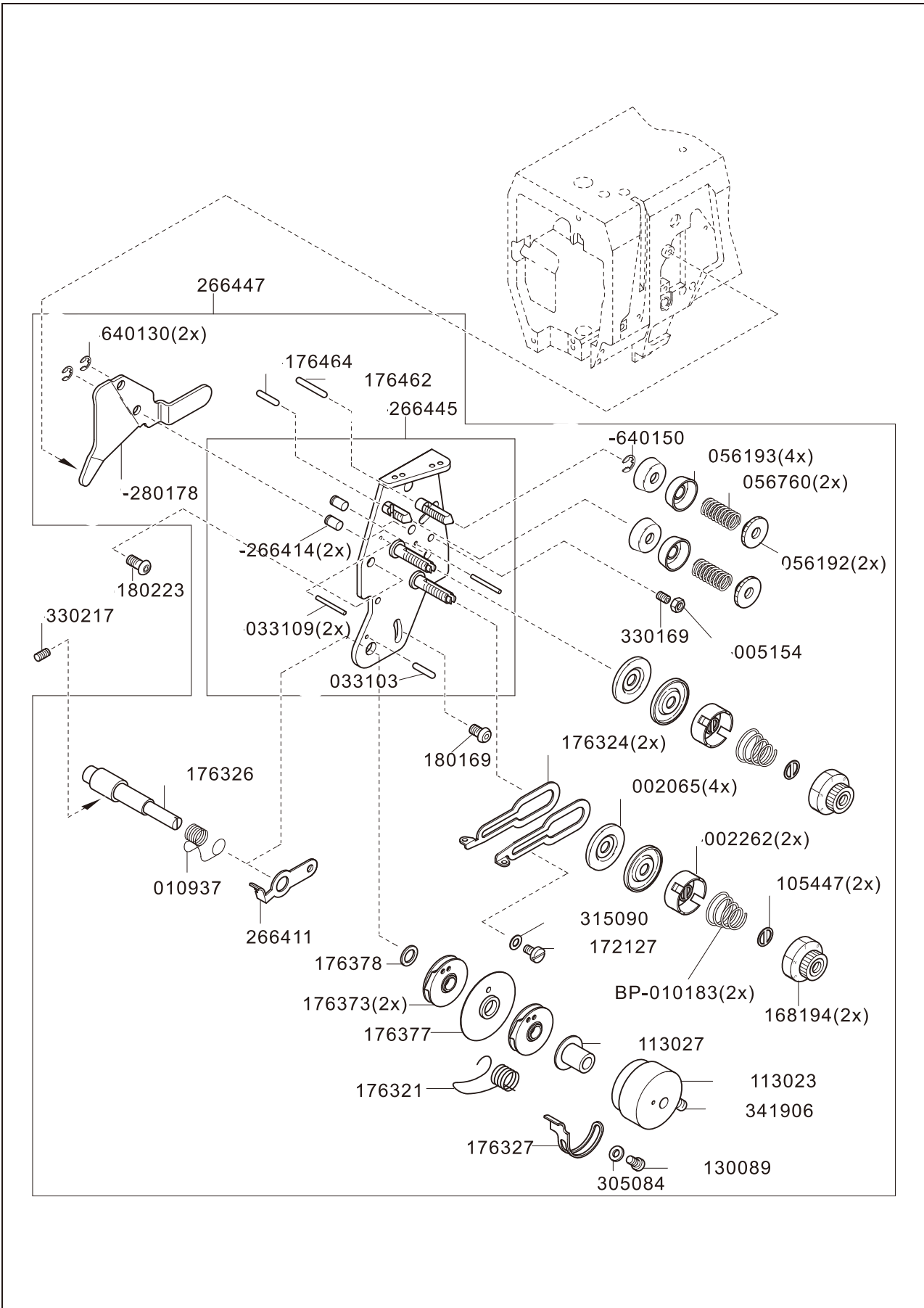
2.03 NEEDLE HEAD PARTS



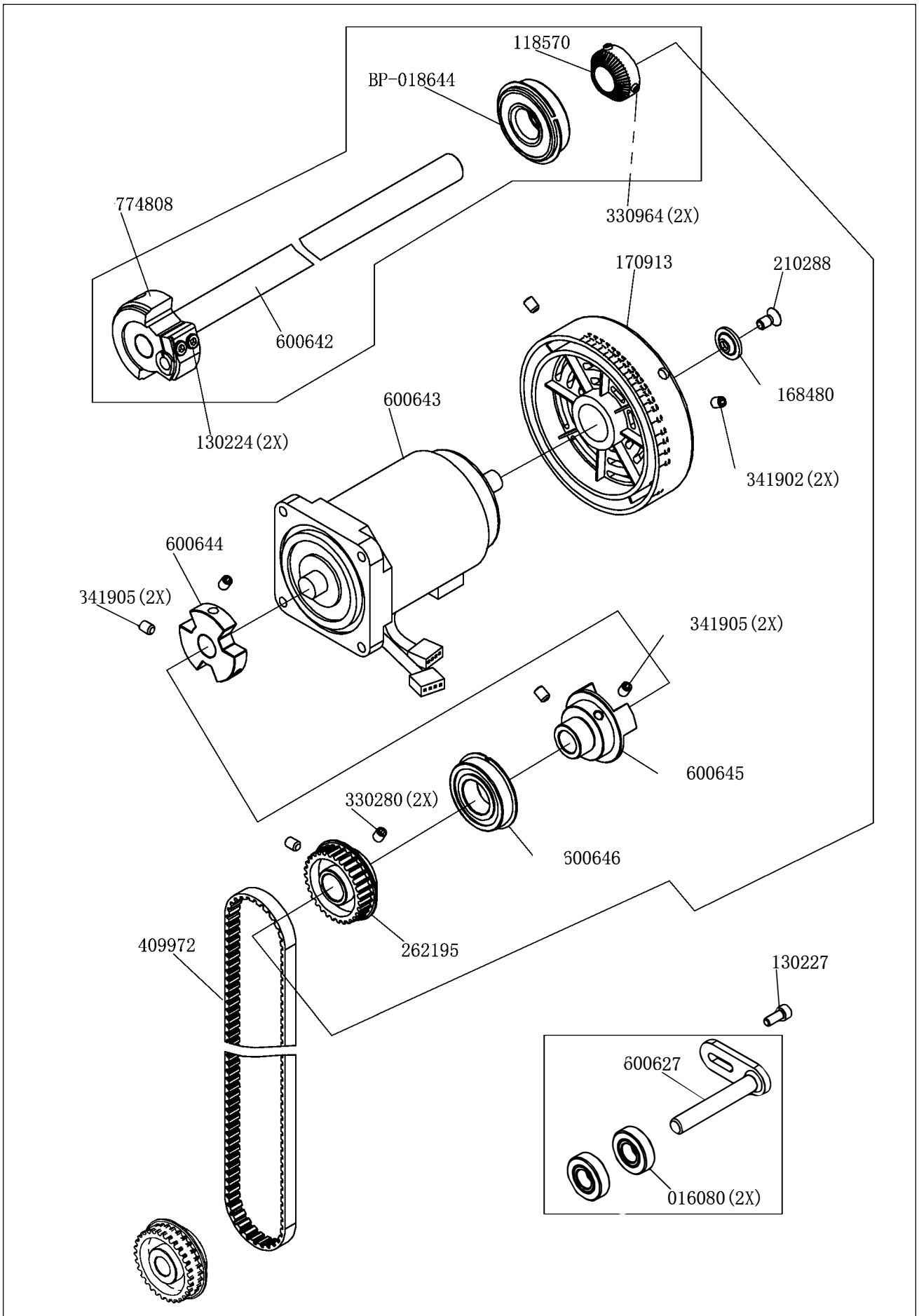
2.04 NEEDLE HEAD PARTS



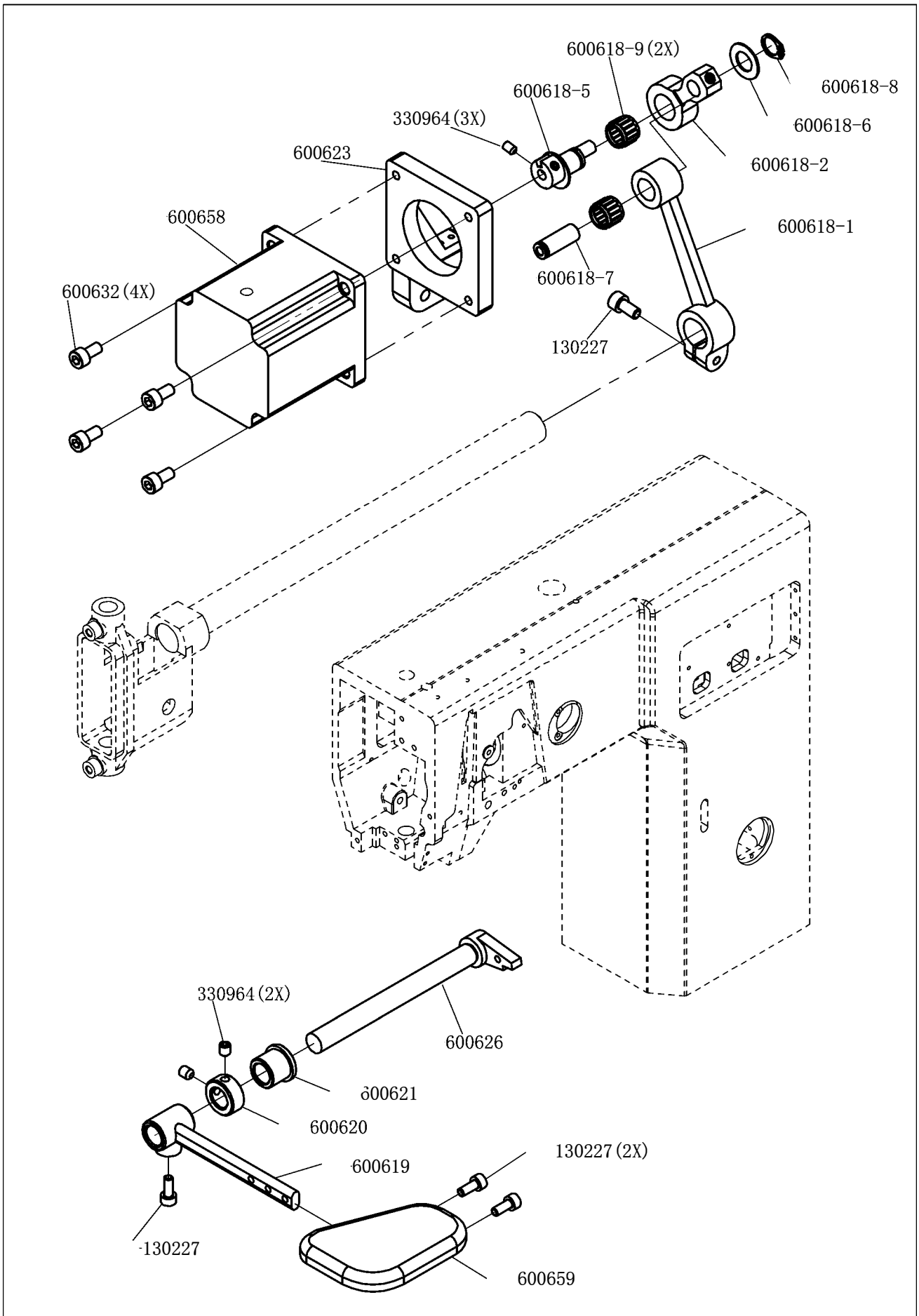
2.05 NEEDLE HEAD PARTS



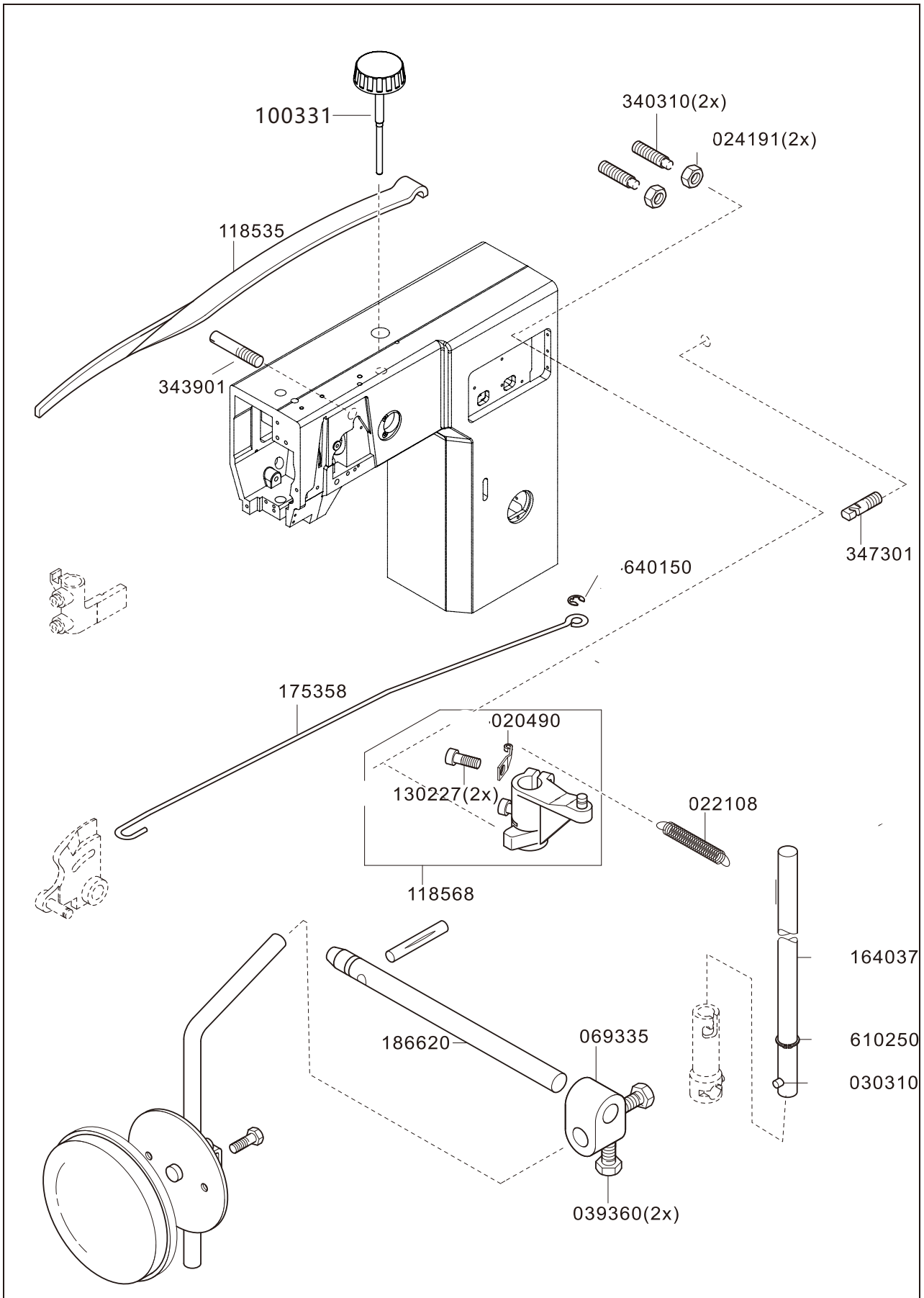
3. 01 ARM PARTS



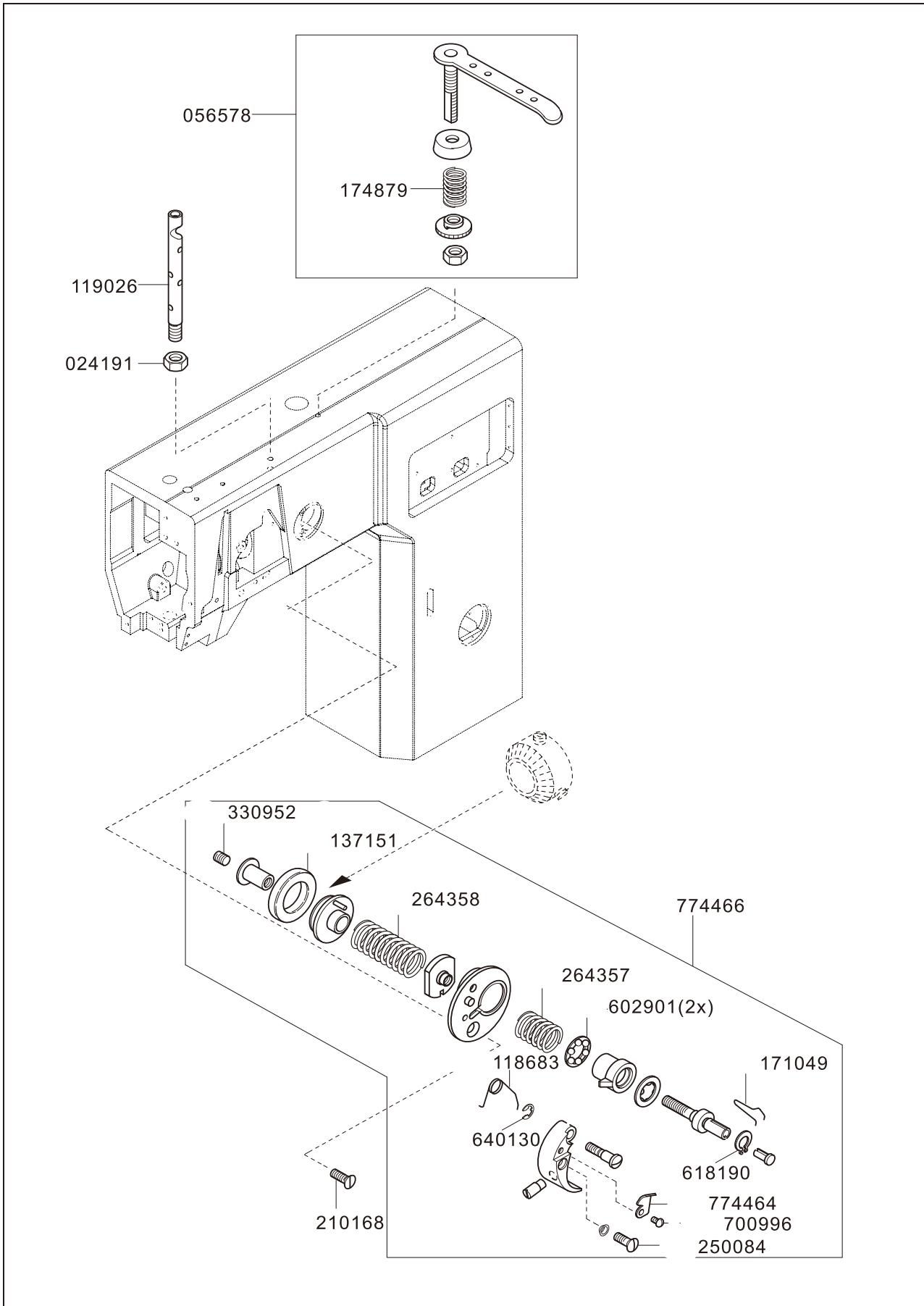
3.02 ARM PARTS



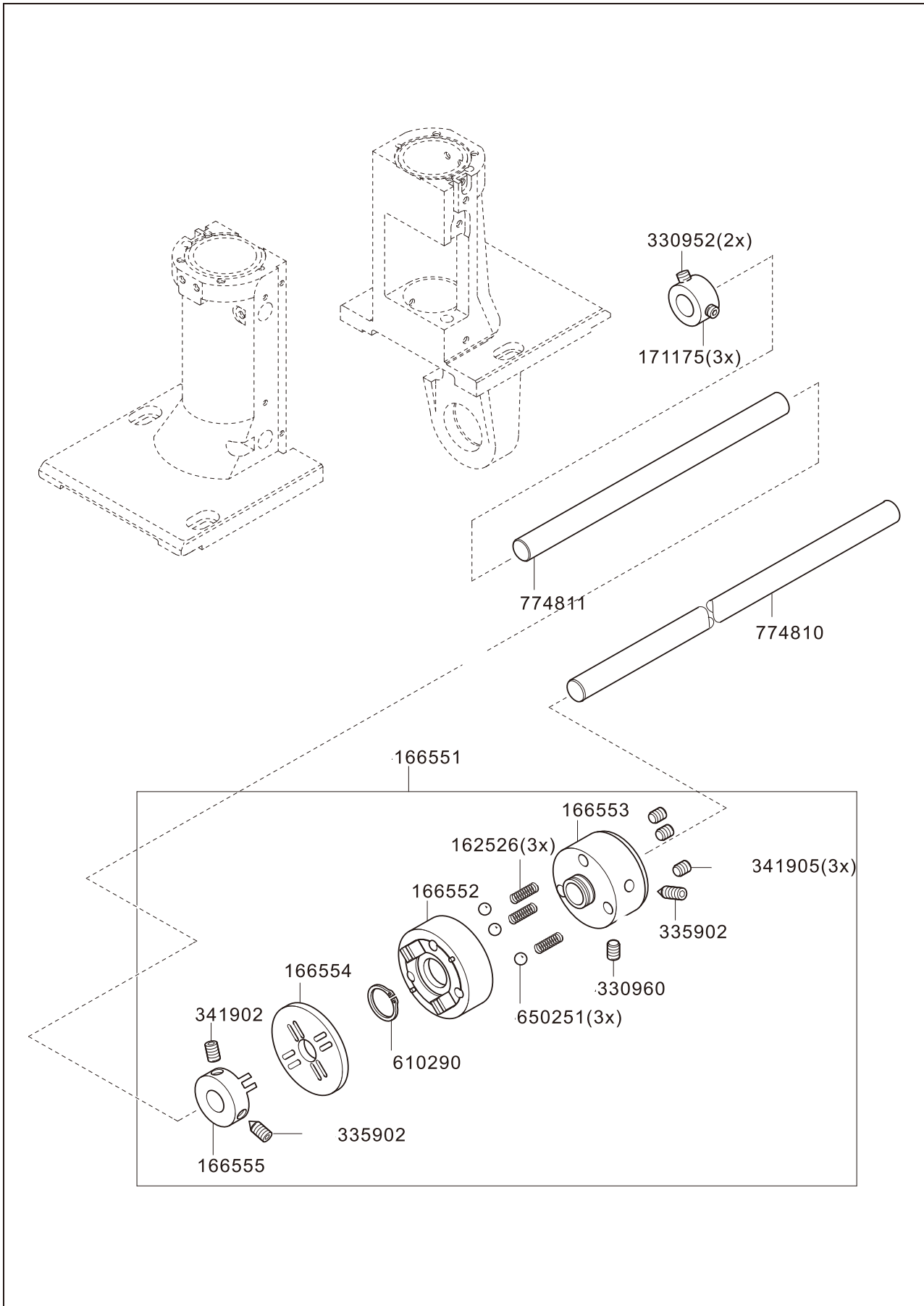
3.03 ARM PARTS



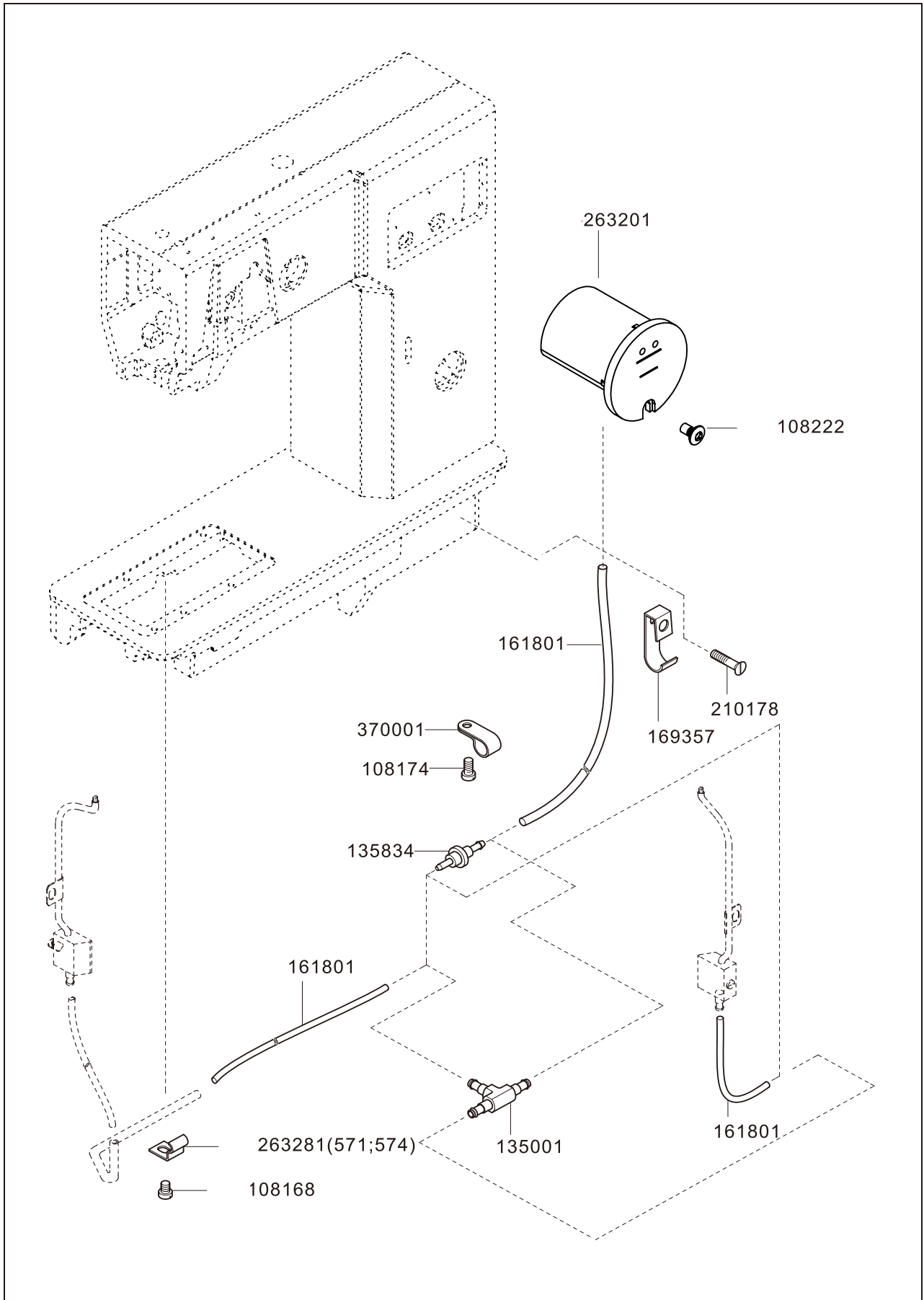
3.04 ARM PARTS



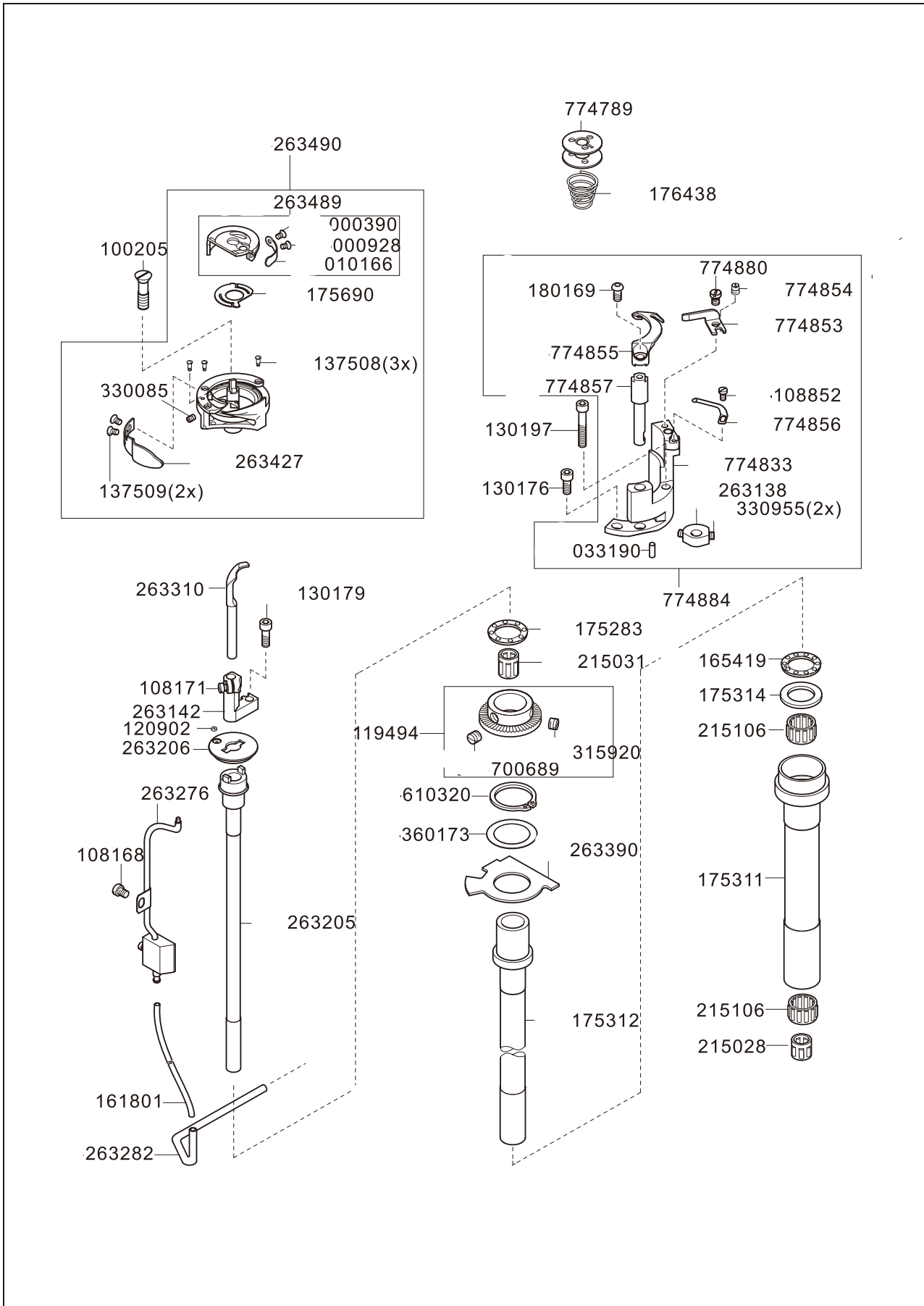
4.01 BEDPLATE PARTS



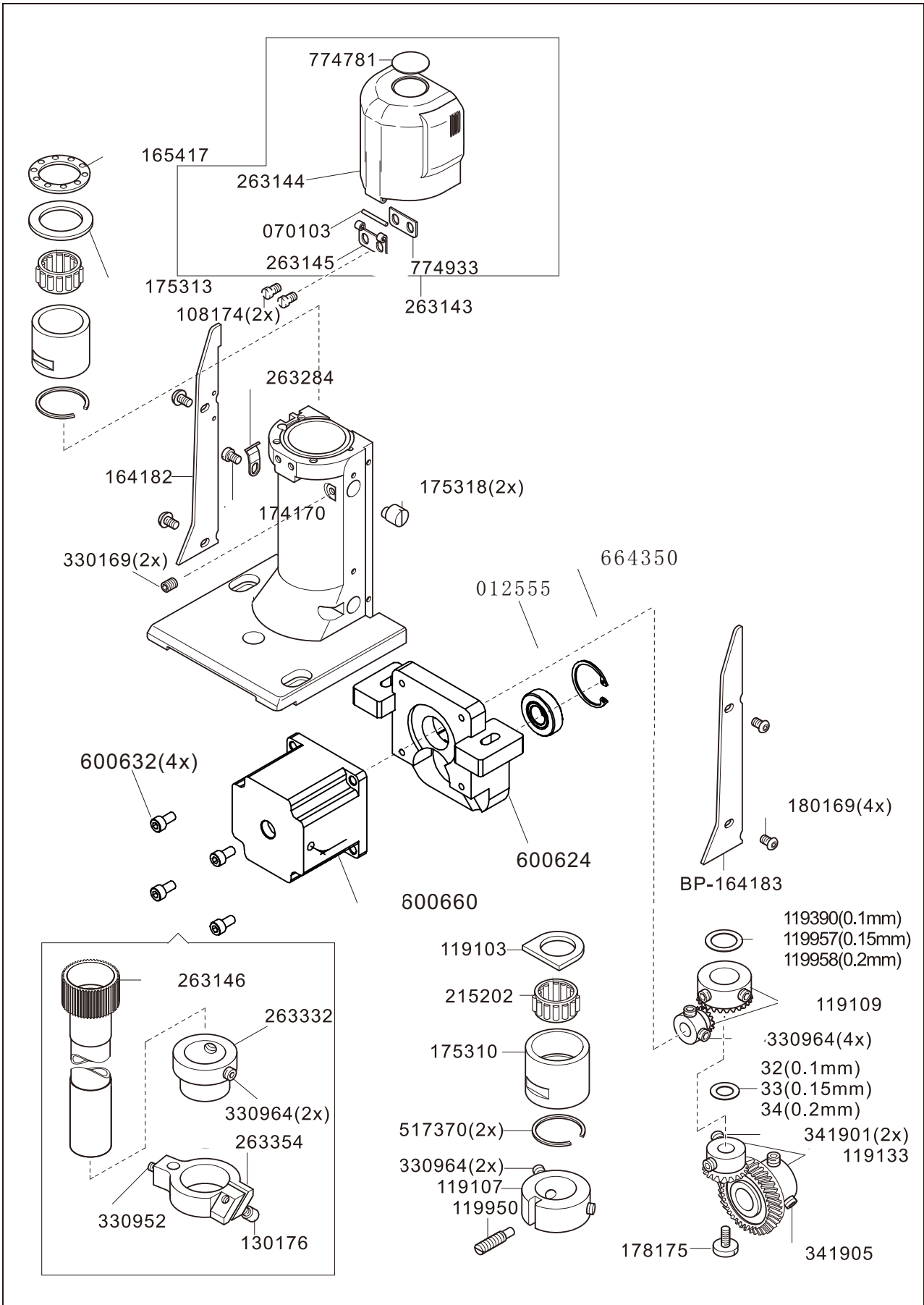
4.02 BEDPLATE PARTS



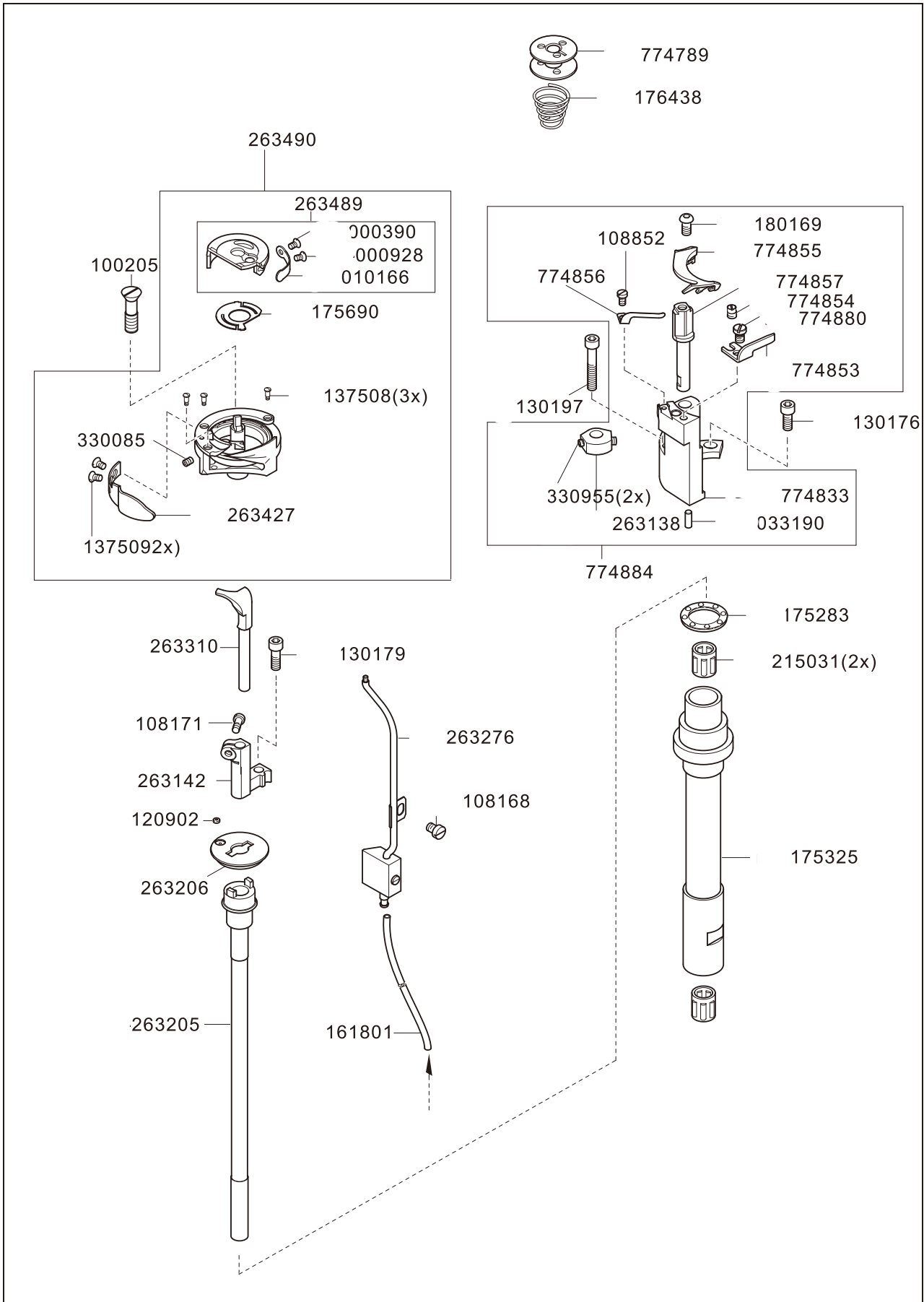
5.01 HOOK POST, LEFT



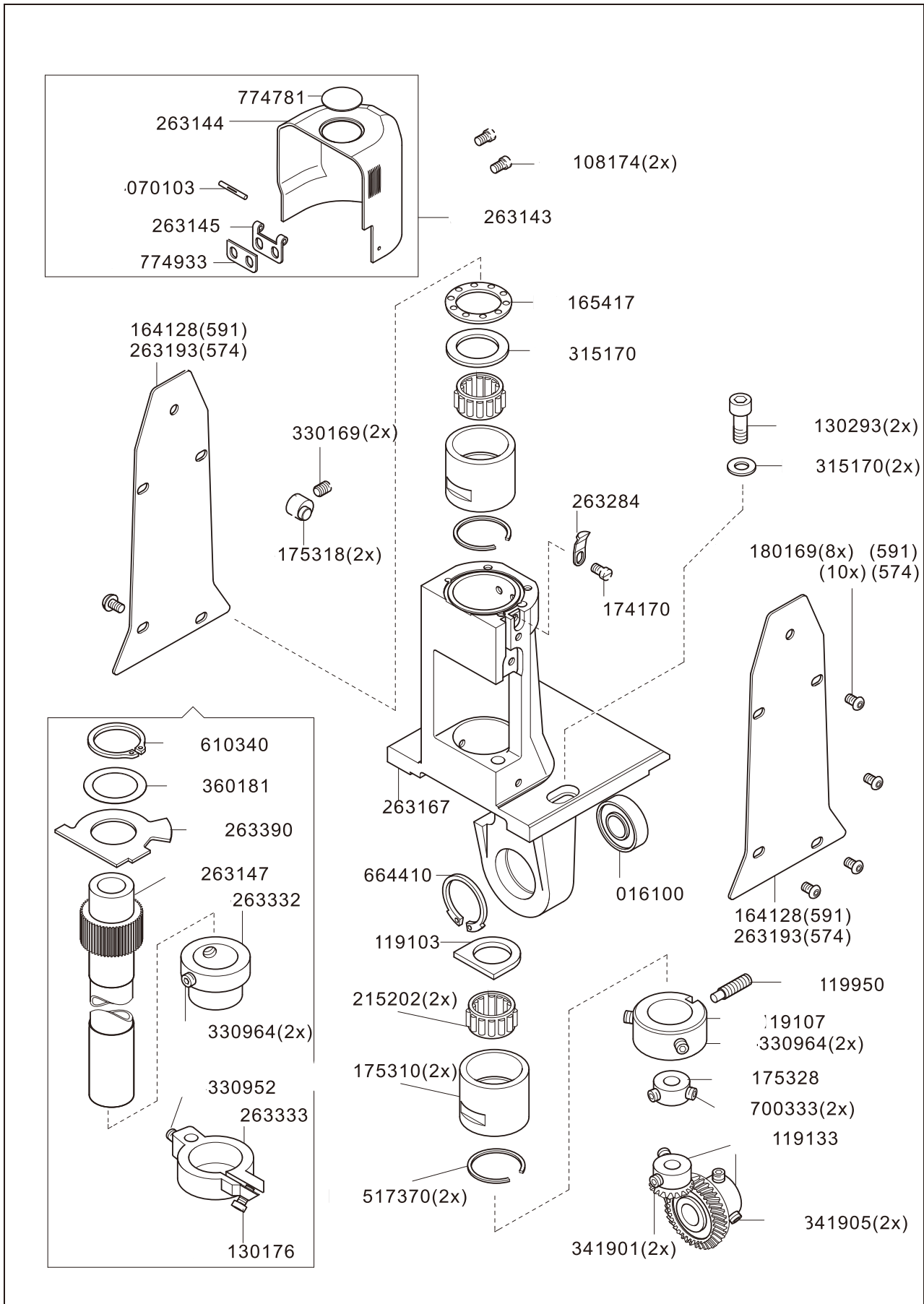
5.02 HOOK POST, LEFT



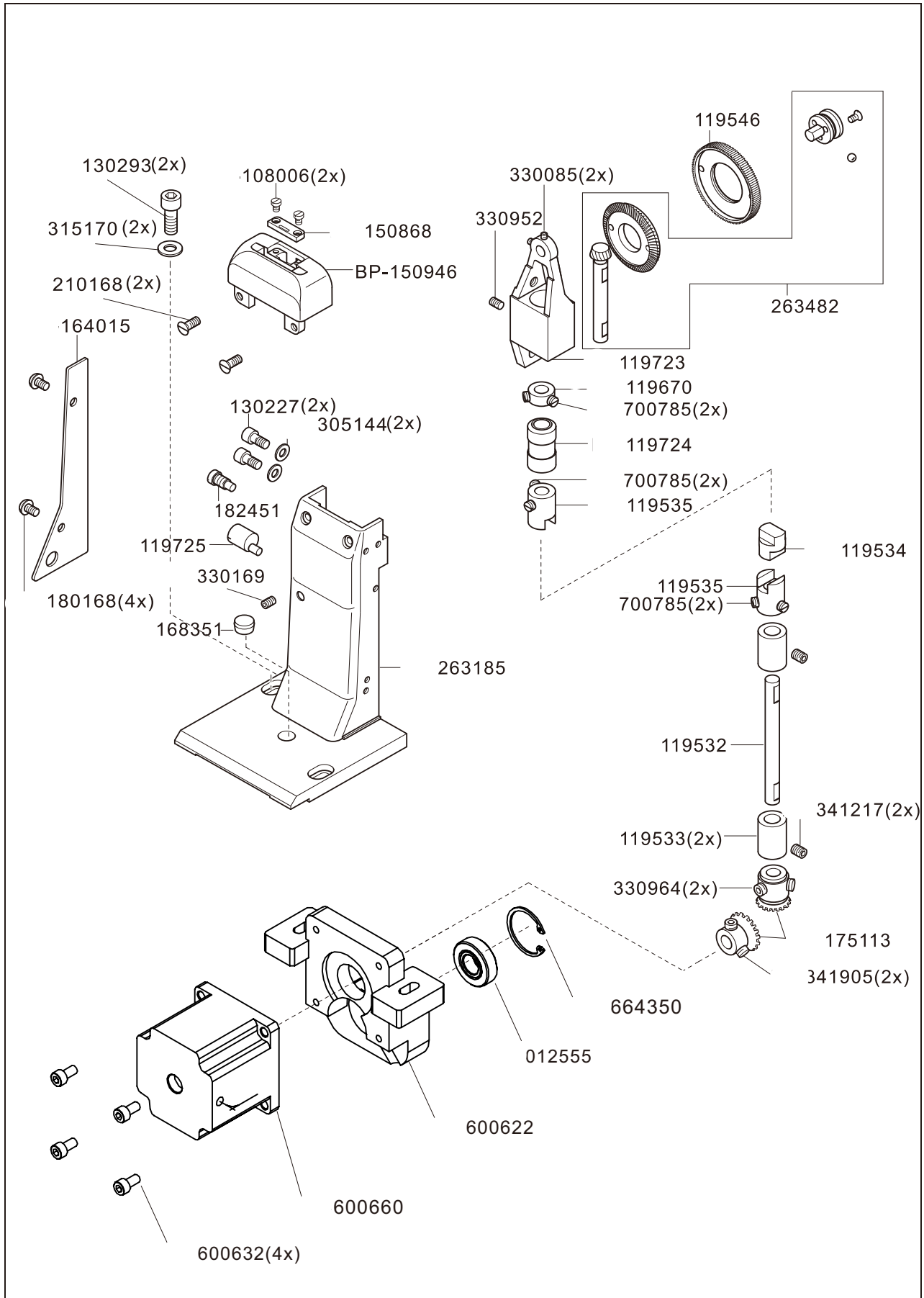
6.01 HOOK POST, RIGHT



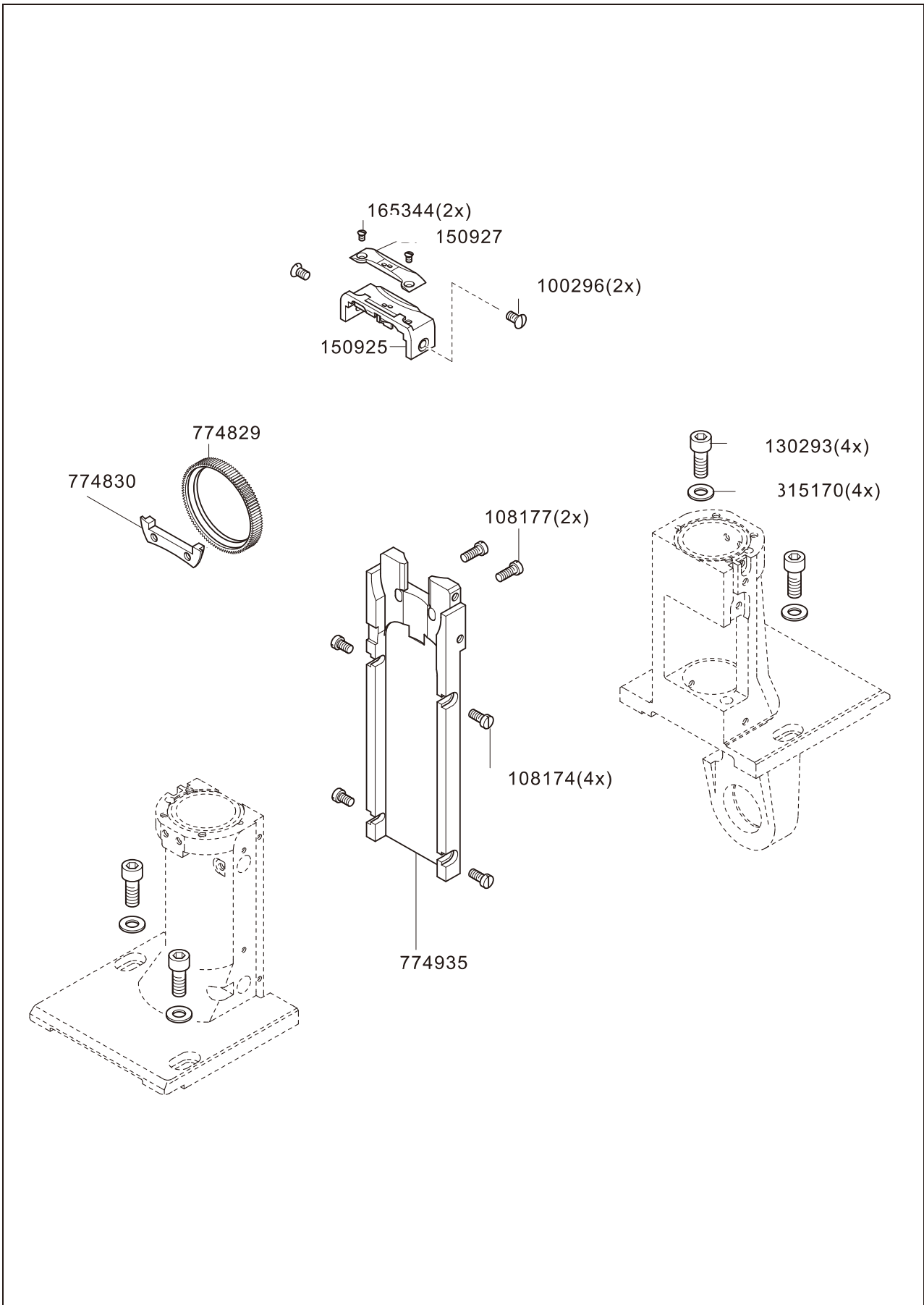
6.02 HOOK POST, RIGHT



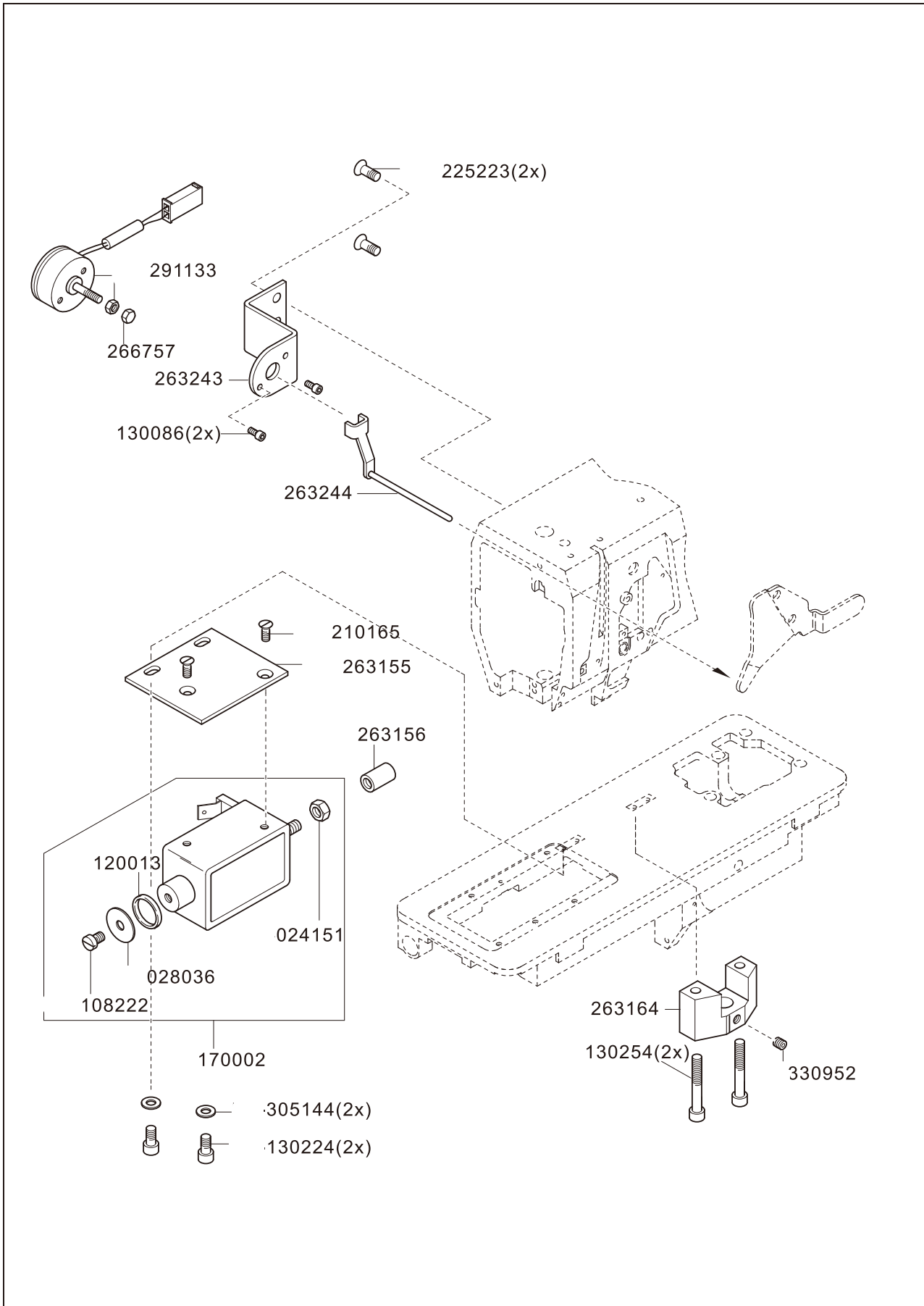
7 FEED WHEEL POST, LEFT



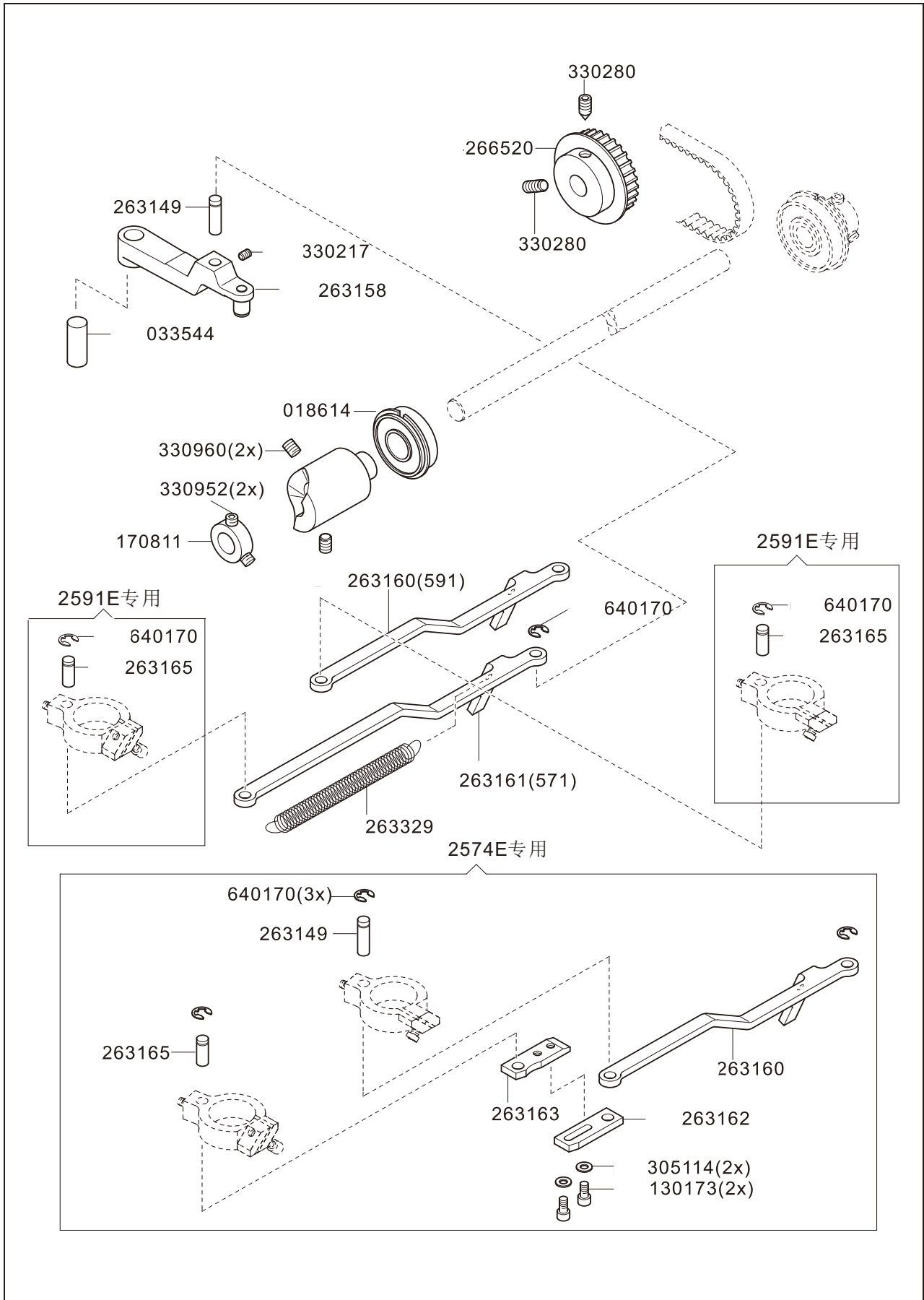
8 FEED WHEEL MOUNTING PLATE



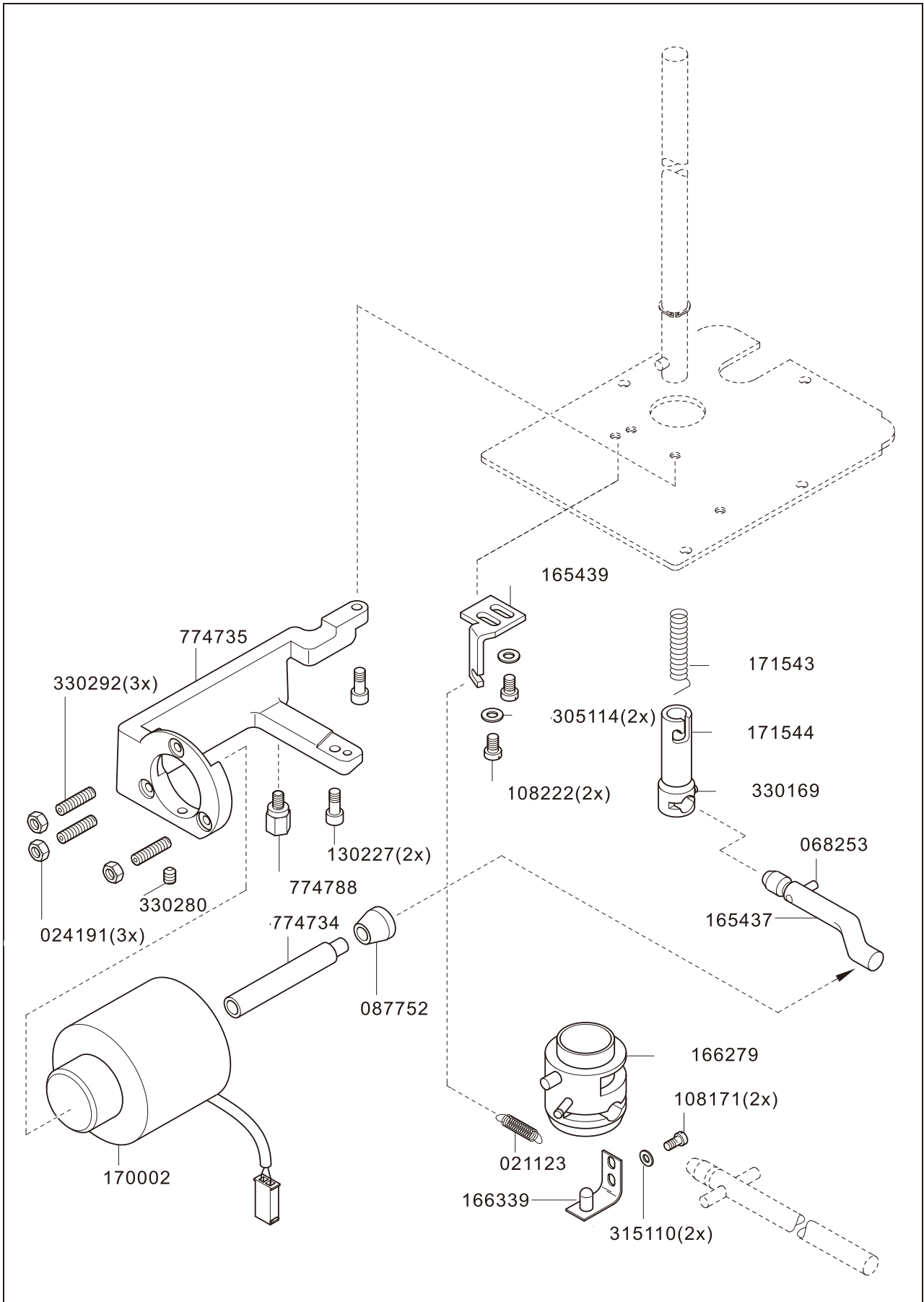
9.01 THREAD TRIMMER



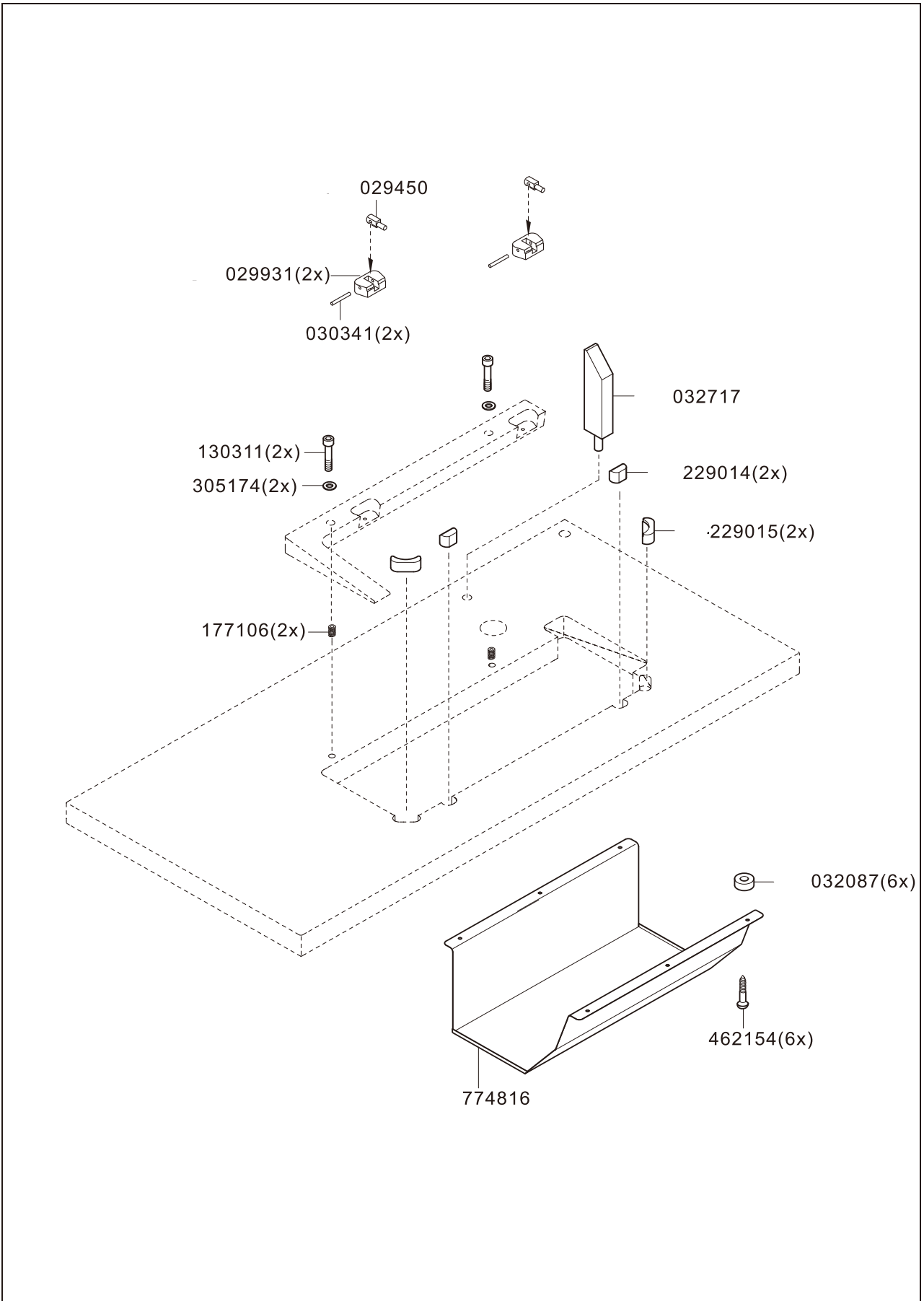
9.02 THREAD TRIMMER

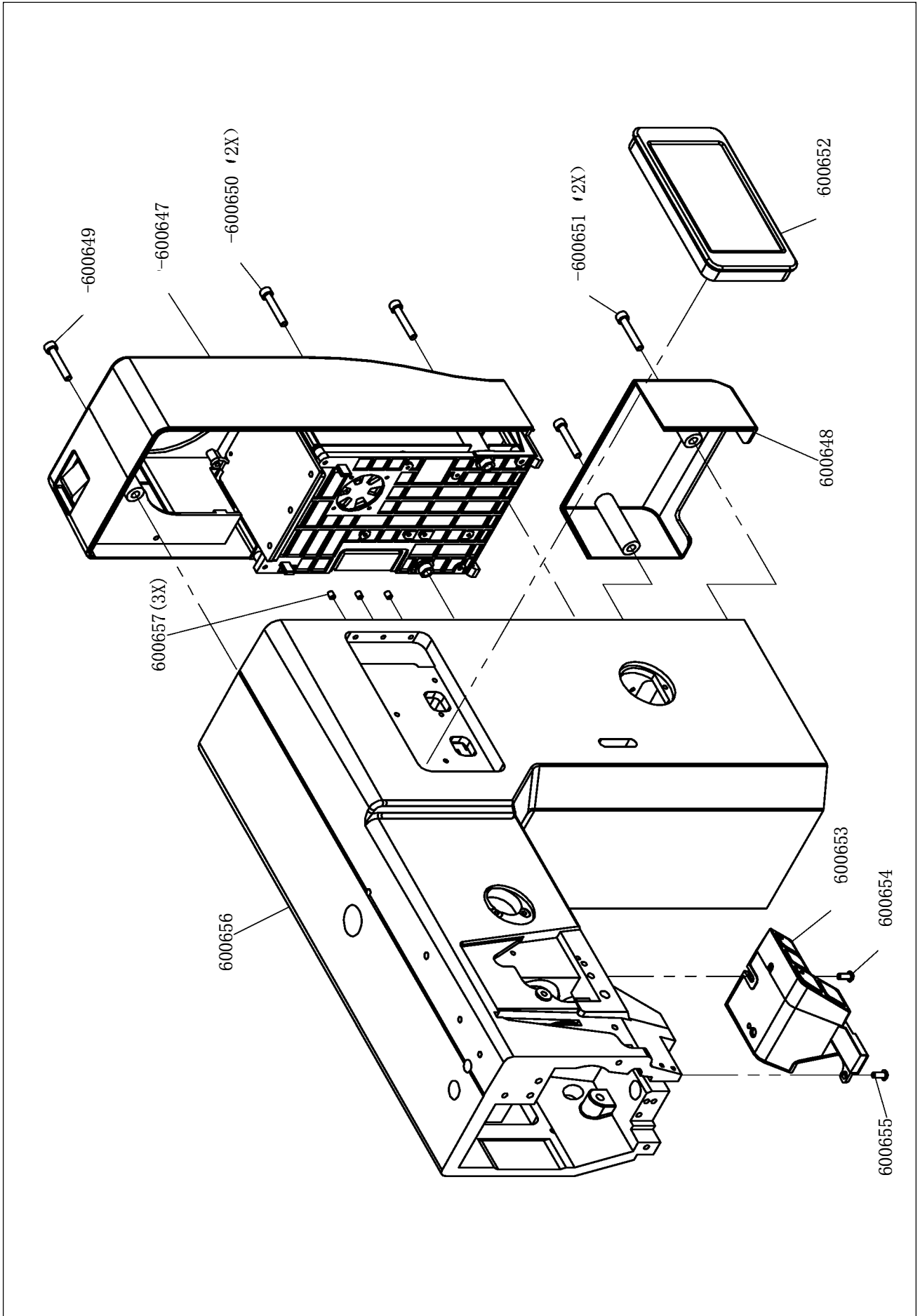


10 AUTOMATIC PRESSER FOOT LIFTER



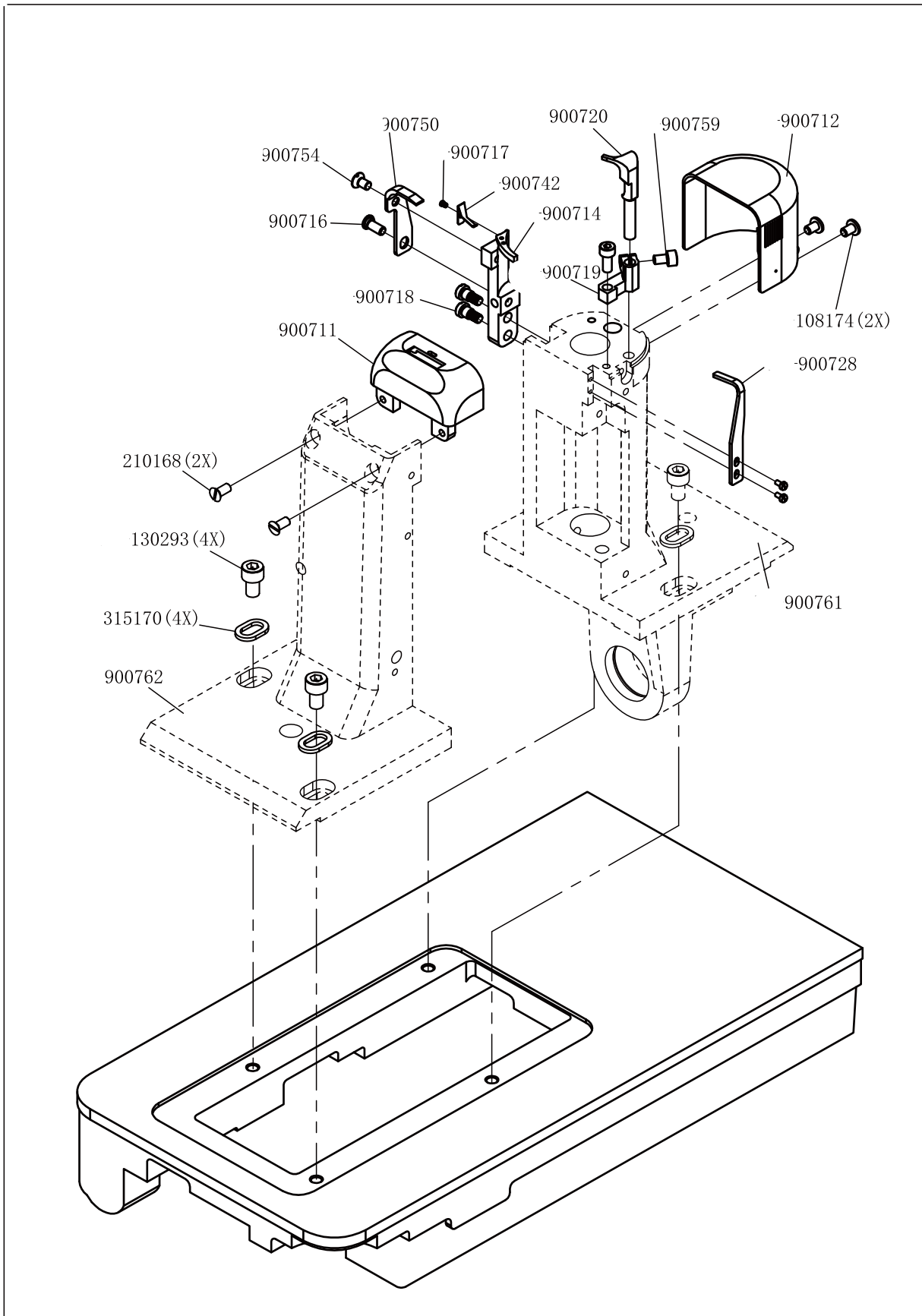
11 PARTS FOR TABLE TOP



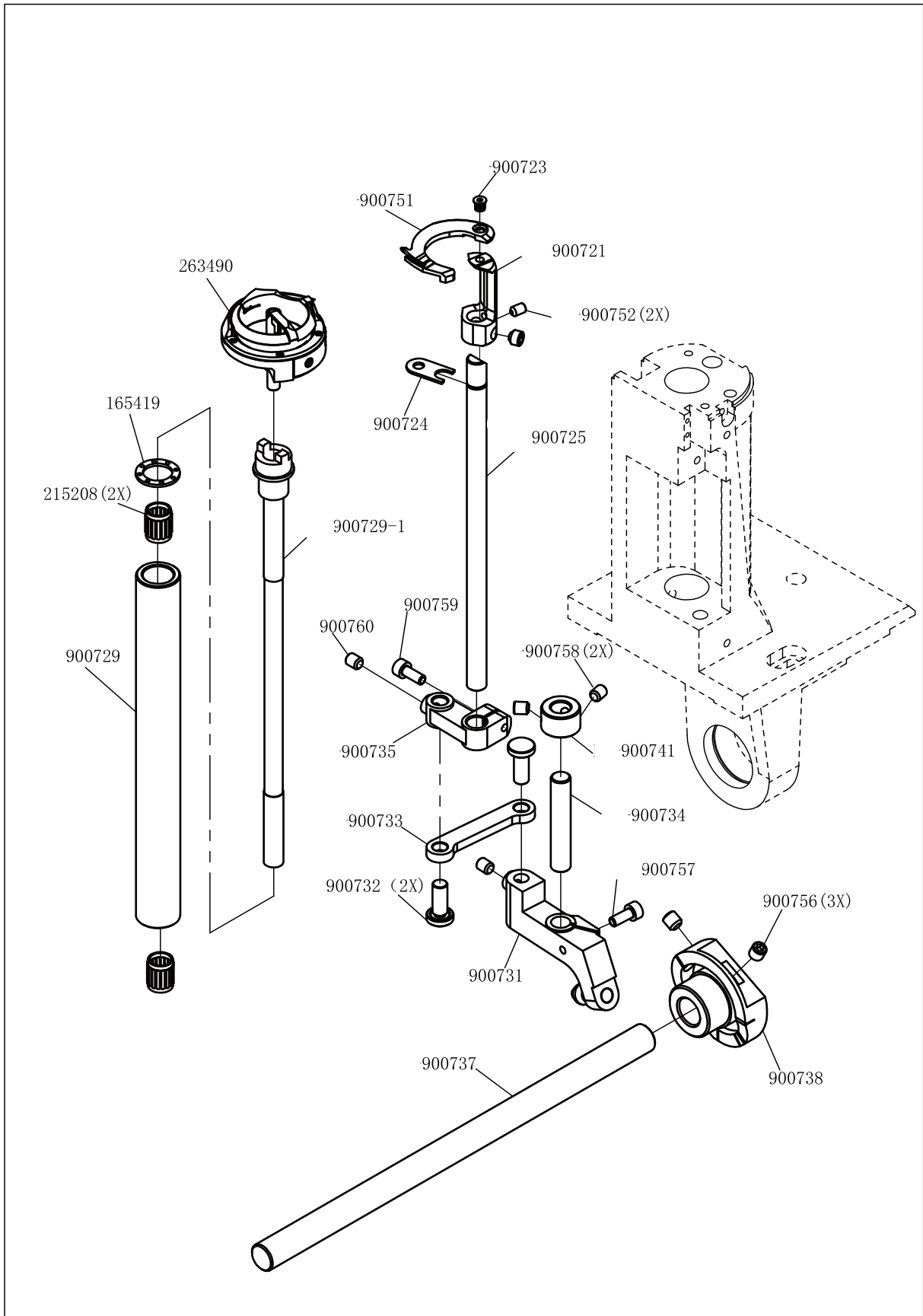


TYPICAL TW1-1591E-M (SHORT THREAD TRIMMER)

HOOK POST. LEFT / HOOK POST. RIGHT

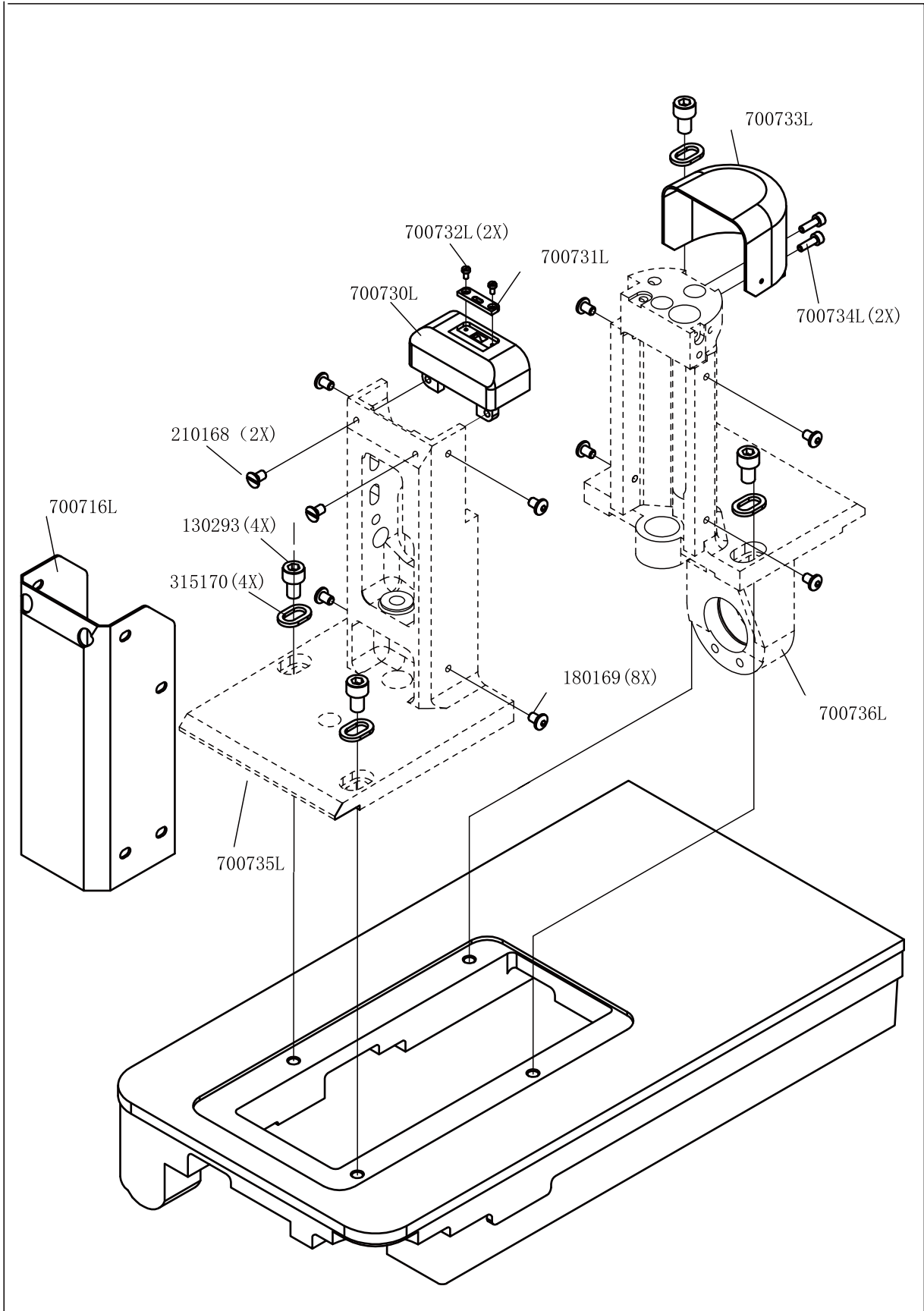


TYPICAL TW1-1591E-M (SHORT THREAD TRIMMER)
HOOK POST. RIGHT / BEDPLATE PARTS



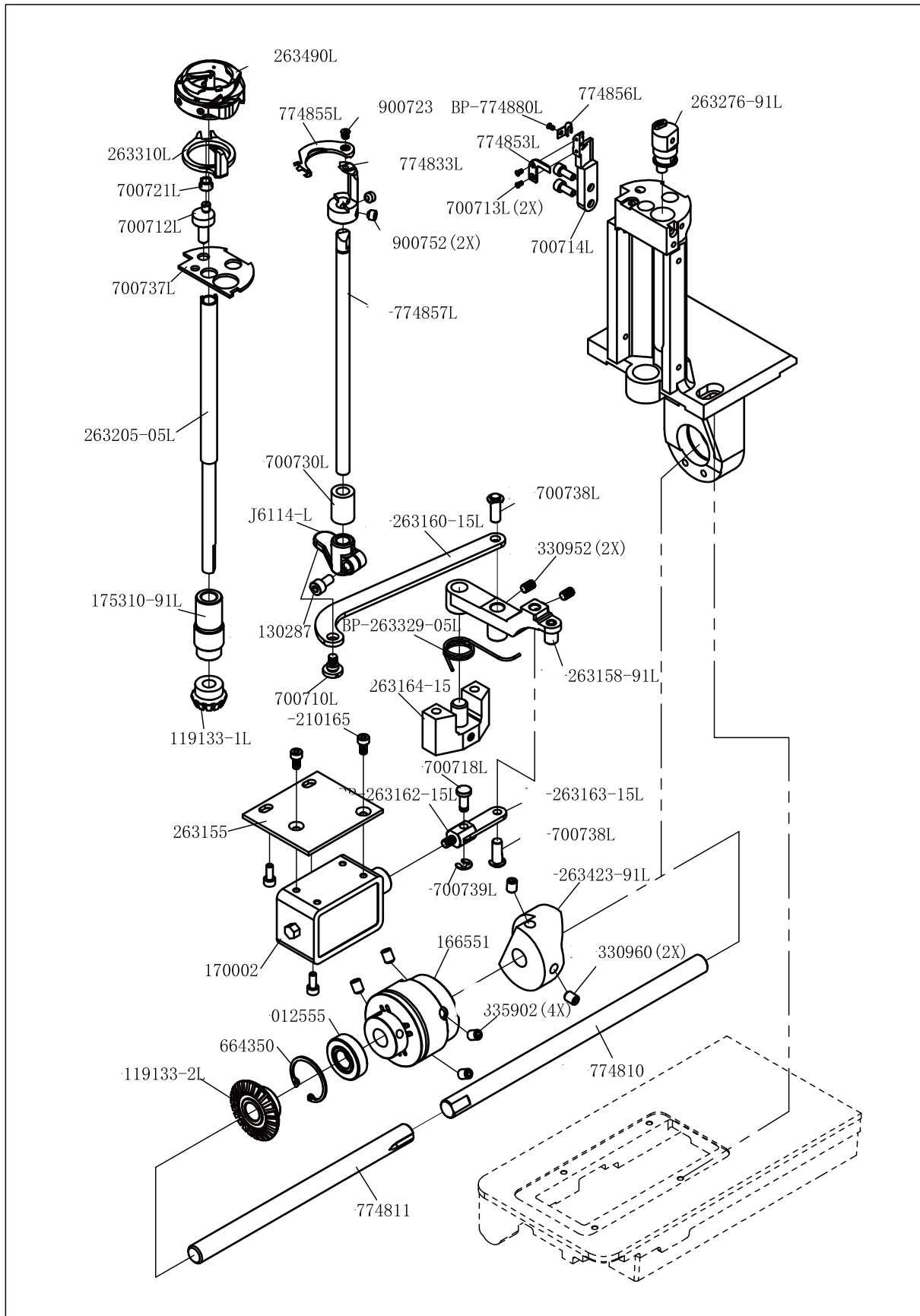
TYPICAL TW1-1591E-BH (BIG HOOK)

HOOK POST. LEFT / HOOK POST. RIGHT



TYPICAL TW1-1591E-BH (BIG HOOK)

HOOK POST. RIGHT / BEDPLATE PARTS



TW1-1591E / TW2-1574E

FULL ELECTRONIC POST BED SEWING MACHINE



This machine may only be operated by adequately trained operators only after having completely read and understood the instruction manual.

Parts are subject to changes in design without prior notice.



VETRON TYPICAL EUROPE GmbH
Clara-Immerwahr-Str. 6
67661 Kaiserslautern, Germany
Tel.: +49 6301 320 75-0
Fax: +49 6301 320 75-11

info@vetrontypical.com
www.vetrontypical.com